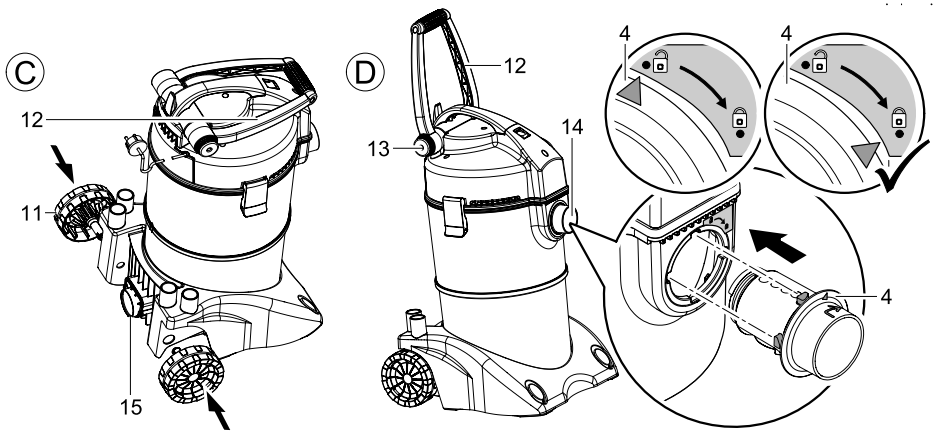
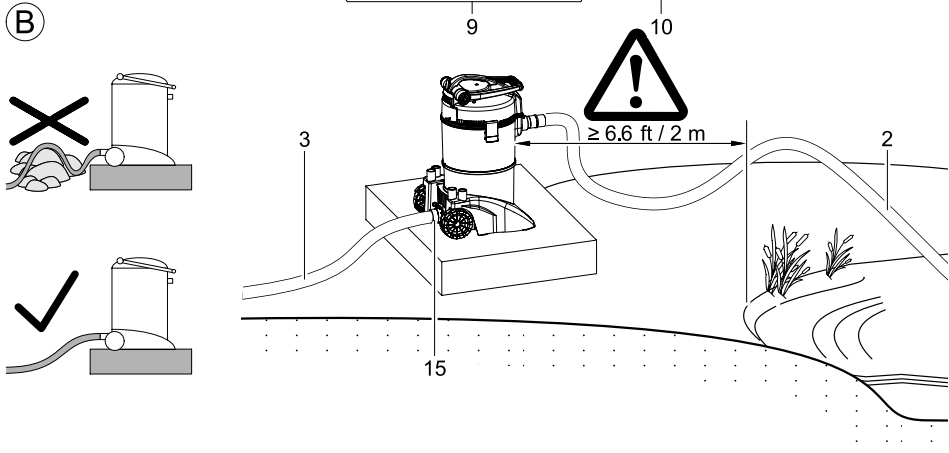
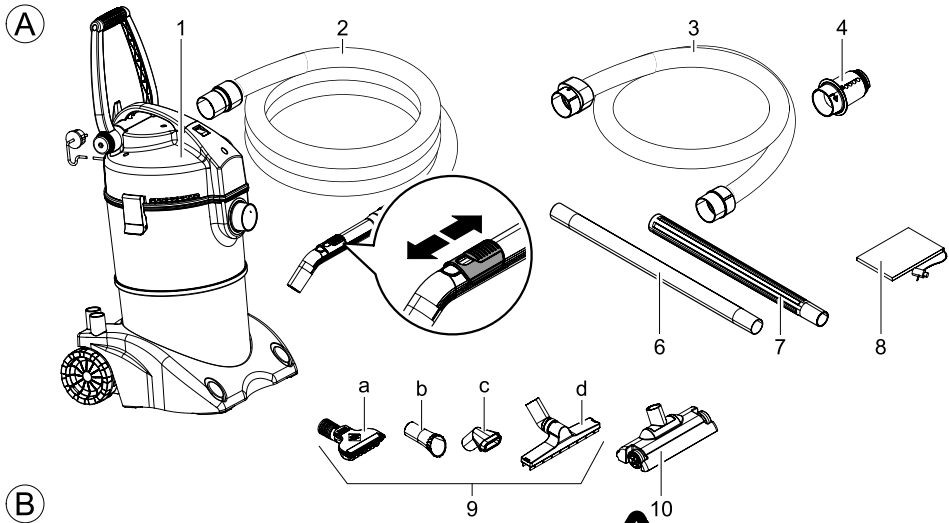


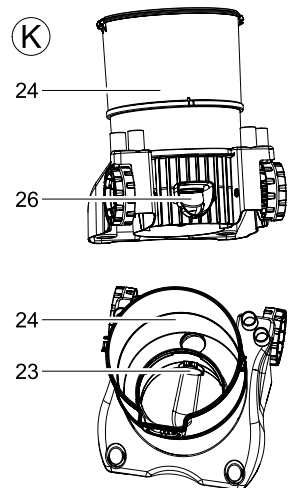
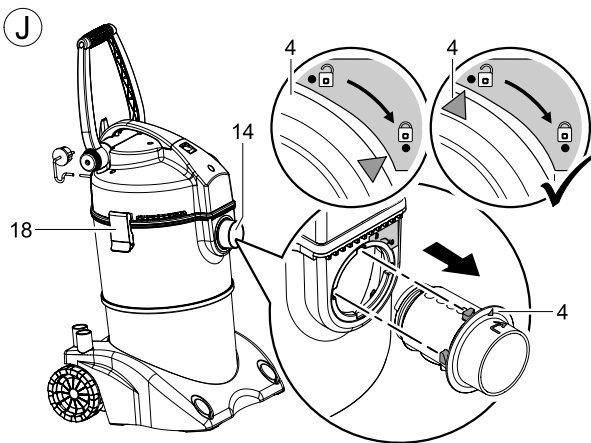
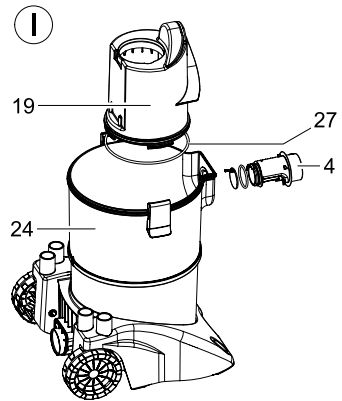
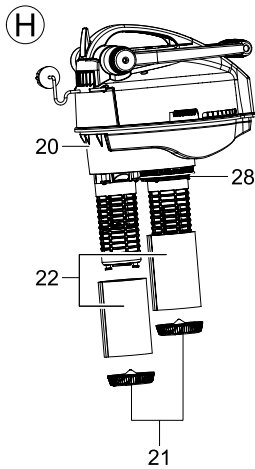
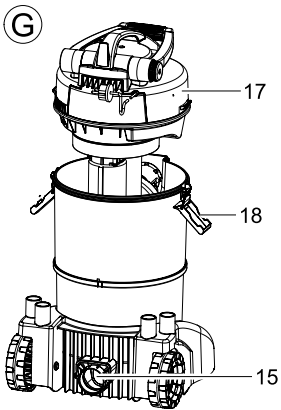
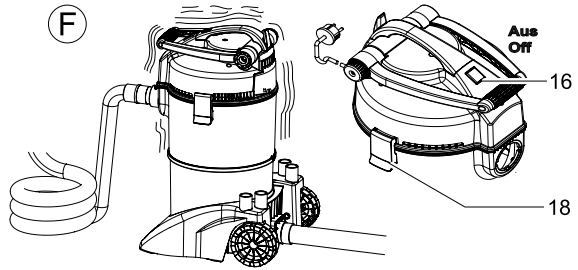
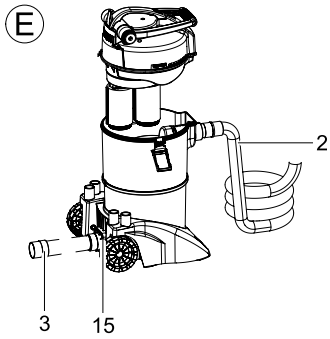


## PONDovac 4

Operating instructions  
Notice d'emploi  
Instrucciones de uso







### IMPORTANT SAFETY INSTRUCTIONS

When using an electrical appliance, basic precautions should always be followed, including the following:

#### READ ALL INSTRUCTIONS BEFORE USING (THIS APPLIANCE)

WARNING – To reduce the risk of fire, electric shock, or injury:

- Do not leave appliance when plugged in. Unplug from outlet when not in use and before servicing.
- Do not expose to rain, store indoors.
- Do not allow to be used as a toy. Close attention is necessary when used by or near children.
- Use only as described in this manual. Use only manufacturer's recommended attachments.
- Do not use with damaged cord or plug. If appliance is not working as it should, has been dropped, damaged, left outdoors, or dropped into water, return it to a service center.
- Do not pull or carry by cord, use cord as a handle, close a door on cord, or pull cord around sharp edges or corners.
- Do not run appliance over cord. Keep cord away from heated surfaces.
- Do not unplug by pulling on cord. To unplug, grasp the plug, not the cord.
- Do not handle plug or appliance with wet hands.
- Do not put any object into openings. Do not use with any opening blocked; keep free of dust, lint, hair, and anything that may reduce air flow.
- Keep hair, loose clothing, fingers, and all parts of body away from openings and moving parts.
- Turn off all controls before unplugging.
- Use extra care when cleaning on stairs.
- Do not use to pick up flammable or combustible liquids, such as gasoline, or use in areas where they may be present.
- Connect to a properly grounded outlet only. See Grounding Instructions.
- Unplug before connecting hose and accessories
- Do not pick up anything that is burning or smoking, such as cigarettes, matches, or hot ashes.
- Do not use without dust bag and/or filters in place.

#### SAVE THESE INSTRUCTIONS

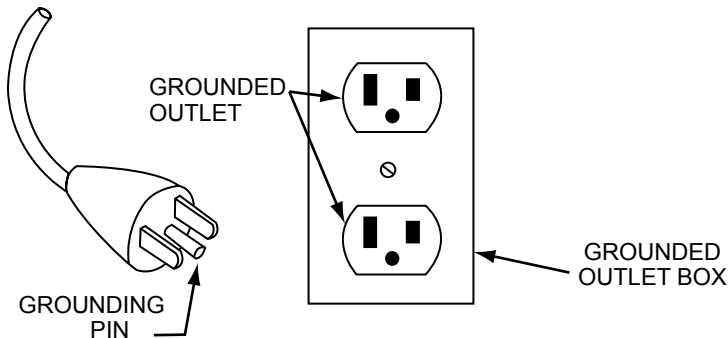
#### For household use only

#### GROUNDING INSTRUCTIONS

This appliance must be grounded. If it should malfunction or breakdown, grounding provides a path of least resistance for electric current to reduce the risk of electric shock. This appliance is equipped with a cord having an equipment-grounding conductor and grounding plug. The plug must be inserted into an appropriate outlet that is properly installed and grounded in accordance with all local codes and ordinances.

WARNING – Improper connection of the equipment-grounding conductor can result in a risk of electric shock. Check with a qualified electrician or service person if you are in doubt as to whether the outlet is properly grounded. Do not modify the plug provided with the appliance – if it will not fit the outlet, have a proper outlet installed by a qualified electrician.

This appliance is for use on a nominal 120-V circuit and has a grounding attachment plug that looks like the plug illustrated in sketch A. Make sure that the appliance is connected to an outlet having the same configuration as the plug. No adaptor should be used with this appliance.



**REMINDER**

CALL 1-866-627-3435  
BEFORE RETURNING TO STORE.

**Information about these operating instructions**

Welcome to OASE Living Water. You made a good choice with the purchase of this product **PondoVac 4**. Prior to commissioning the unit, please read the instructions of use carefully and fully familiarise yourself with the unit. Ensure that all work on and with this unit is only carried out in accordance with these instructions. Please strictly follow the enclosed instructions to ensure safe and correct handling of the product. Keep these instructions in a safe place! Please also hand over the instructions when passing the unit on to a new owner.

**Symbols used in these instructions**

The symbols used in this operating manual have the following meanings:

**Risk of injury to persons due to dangerous electrical voltage**

This symbol indicates an imminent danger, which can lead to death or severe injuries if the appropriate measures are not taken.

**Risk of personal injury caused by a general source of danger**

This symbol indicates an imminent danger, which can lead to death or severe injuries if the appropriate measures are not taken.



Important information for trouble-free operation.

**Scope of delivery**

Figure (A)	Number	Description	
1	1	Pondovac 4 Sludge suction unit	
2	1	16 ft (5 m) suction hose	
3	1	8 ft (2.5 m) drain hose	
4	1	Inlet distributor	
6	1	Extension tube, transparent	
7	4	Extension tubes, aluminium (Al)	
8	1	Dirt catcher bag	
9		Set of tools	
	a	1	Universal tool
	b	1	Thread algae tool
	c	1	Bristle tool
	d	1	Wet suction tool
10	1	Large tool	
	1	Operating instructions	

**Intended use**

PondoVac 4, in the following text termed unit, is restricted to draw out pond sludge. This also applies to all other components being part of our scope of delivery. The attendant filter is only suitable for fluids. Taking in of dust or dirt will lead to its destruction.

The unit is only intended for private domestic use, not for commercial purposes or rental.

Never use the unit to collect flammable or toxic substances

- (e.g. benzene, asbestos, asbestos dust, copier toner),
- volatile substances,
- acids,
- hot or glowing ash,
- dust, sand or similar dirt.

**Hazard in explosive environments**

The unit is not explosion protected. Never use the unit in the presence of explosive dust, fluids or vapours!

**Use other than that intended**

This unit can be dangerous and cause harm to persons if not used in accordance with these instructions. Any use not in accordance with these instructions or modification(s) to the unit will void the limited warranty.

**Questions, problems, missing parts?**

Before returning to your retailer, call us at 1-866-627-3435, 8 a.m.-6 p.m., EST, Monday-Friday, or email us at [customercare@oase-livingwater.com](mailto:customercare@oase-livingwater.com). Or visit our website at [www.oase-livingwater.com](http://www.oase-livingwater.com)

## English

### Installation

#### Preparation (Fig. C, D, E):

- Fit the wheels (11) on the housing.
- Bring the transport brace (12) into the desired position. For this purpose, loosen and retighten the hand screw (13).
- Fit the intake distributor (4) into the inlet (14) by performing a plug-turn movement (bayonet closure).
- Connect the suction hose (2) to the intake distributor (4).
- Fit the extension tube (Fig. A, 6, 7) at the hand-held nozzle of the tube (2). The transparent tube (6) allows a flow control to be able to detect blockages earlier.
- Slide on the tool (9, 10) appropriate for the task.

**Note:** The higher the number of tubes used, the higher the tube frictional resistance. This leads to a reduction of the suction capacity.

#### Operation as a sludge suction unit (Fig. B, E)

**Attention!** Never operate the unit without foam filter (Fig. I, 22) or float body! Both are fitted when delivered.

- Place the unit at a minimum distance of 6.6 ft (2 m) from the water.
- Route the drain hose (3) with a slight gravity: Places the unit slightly higher. Ensure a safe and stable position. Ensure that the drain opening (15) is above the water level.
- Plug the drain hose (3) into the drain opening (15) of the collection container.
- Ensure that the hose lies straight: Avoid kinks or bends caused by unevenness of the ground. Allow unrestricted draining of the water, which has to be disposed of in accordance with the local conditions.

**Note:** When you pull the dirt catcher bag (Fig. A, 8) over the free end of the drain hose (3), you can return the water, then free from coarse particles, such as dead leaves or algae, into the pond. As an alternative, the removed pond sludge can be used as plant fertiliser. In this case, lay the drain hose directly on a plant bed. Otherwise dispose of in accordance with the local conditions.

#### Use of the tools (Fig. A, 9, 10):

Universal tool (a): To remove pond sludge without taking in the pond gravel.

Thread algae tool (b): For the separation and removal of thread algae.

Bristle tool (c): For the removal of stubborn soiling.

Large tool (10): For cleaning large, level surfaces.

Wet suction tool (d): Only to be used when operating the unit as a wet vacuum cleaner to remove soiled water or residual water.

**Note:** Always work slowly, performing smooth, uniform movements. This largely prevents sediments from being swirled up.

### Start-up

Connect the unit to the power supply. The unit is equipped with a power switch (Fig. F, 16):

Position I: Automatic mode. Continuous operation.

Position 0: The unit is switched off.

### Operation

#### Regulating the suction intensity

The suction intensity can be regulated with the slide in the suction hose handle. Reducing the suction intensity can be useful when the unit operated in the sludge suction mode draws in too much unwanted material, for instance, pebbles that block the passage.

### Abnormalities

Unusual behaviour could be encountered during operation.

**The unit heavily vibrates.** Turn the unit off at the power switch (16) and on again after 20 seconds. If vibration persists, probably either

- the tank is full (when operated as a wet vacuum cleaner, plug inserted),
- or the intake distributor, the drain or the foam filter is soiled.

In this case, clean and service the unit.

**Vapour develops.** No reason to worry. This is condensate released through the ventilation slots in the form of water vapour. This effect is particularly encountered in cold weather.

### Remedy of faults

Malfunction	Cause	Remedy
Vapour escapes from the unit	In cold weather, condensate forms in the unit, which is released in the form of water vapour.	This is normal. No remedy necessary
The unit develops noise and/or heavy vibration	The tank is full	Drain tank
	Intake distributor, drain or foam filter is soiled	Switch off the unit, wait 20 s, then switch on again. If the malfunction reoccurs, clean the unit.
The unit does not suck or its performance reduces	No mains voltage	Check mains voltage
	Excessive height difference between water level and unit	We recommend that the outlet height is slightly above the water level
	Both containers are full of water. The float bodies seal completely	Drain the unit
	Dirt plugs foam filters, the suction tube or the suction hose	Remove dirt
	The flap at the intake distributor is jammed or soiled	Remove the intake distributor. Check the flap seating (Fig. H, 25)
	O ring at the inlet distributor not properly seated	Check the O-ring seating (Fig. H, 25)
	The flap at the outlet valve is jammed or soiled	Remove the drain hose. Check the flap seating
	O ring at the distributor unit not properly seated	Check the O-ring seating (Fig. I, 28)
Low suction capacity	O ring at the inner tank not properly seated	Check the O-ring seating (Fig. I, 27)
	Increased tube friction resistance	Keep the suction hose as short and flat as possible.
The container does not empty	Suction depth too large. Due to the design, the suction capacity reduces as from a suction depth of 6.5 ft (2 m)	Reduce the suction depth
	The drain hose is kinked or was not laid with an incline	Route the hose correctly. See Installation.
Poor unit switching behaviour between the containers, or no switch-over	Drain hose or drain valve plugged with dirt	Remove dirt from the drain hose and the drain valve
	Dirt film on the pistons after an extended down time	Remove motor housing (G, 17). Start the switching cycle manually by holding the motor head overhead.

### Questions, problems, missing parts?

Before returning to your retailer, call us at 1-866-627-3435, 8 a.m.-6 p.m., EST, Monday-Friday, or email us at [customer care@oase-livingwater.com](mailto:customer care@oase-livingwater.com). Or visit our website at [www.oase-livingwater.com](http://www.oase-livingwater.com)

## - English -

### Maintenance and cleaning

#### Standard cleaning (Fig. F - H)

- Switch the unit off at the power switch (16) and pull out the power plug.
- Remove all hoses.
- Unlock the container lock (18).
- Remove the motor housing (17).
- Flush the inner tank (19), but do not remove.
- Unlock the engagement plates (21) beneath the foam filters (22).
- Remove the foam filters (22) and wash out with clean water.

**Note:** Foam filters are wear parts. Check the foam filters at the same time. If damaged, only replace with original OASE spare parts.

#### Clean inner tank, collector, intake distributor and drain valve (Fig. I - K)

- Intake distributor (Fig. J): Turn the intake distributor (4) out of the bayonet closure (14). Check the completeness and condition of the rubber seals (25) in the intake distributor.
- Rinse the intake distributor.
- Remove the inner tank (Fig. I 19) and rinse.
- Check the condition of the rubber seal (27).
- Rinse the collector (Fig. K 24) and drain valve (23).
- Check seating and ease of movement of the flap (26) in the drain opening.

**Note:** Sealing rings and valve rubber elements are wear parts. If damaged or lost, only replace with original OASE spare parts.

#### Reassembling the unit

Subsequently, reassemble the unit in the reverse order. Do not forget to lock the motor housing using the engagement hooks (Fig. J, 18).

### Wear parts

Foam filters, sealing rings and valve rubber parts are wear parts and are, therefore, not covered by our warranty.

### Storage

Empty out the collection container and clean the unit. Store in a dry, frost protected room, inaccessible to children.

### Disposal

Foam filters and seals no longer used can be disposed of with the household waste.



Do not dispose of this unit with domestic waste! For disposal purposes, please use the return system provided. Disable the unit beforehand by cutting off the cables.



## CONSIGNES DE SÉCURITÉ

L'utilisation d'un appareil électrique suppose de respecter des mesures de précaution de base, y compris les suivantes :

### PRENDRE CONNAISSANCE DE TOUTES LES RECOMMANDATIONS AVANT D'UTILISER CET APPAREIL

ATTENTION Pour réduire les risques d'incendie, de choc électrique ou d'accident corporel :

- Ne pas laisser l'appareil sans surveillance tant qu'il reste branché. Débrancher le connecteur lorsque l'appareil n'est pas utilisé ou pour faire une opération d'entretien.
- Protéger l'appareil contre la pluie. le ranger dans un local fermé
- Cet appareil n'est pas un jouet. Rester très vigilant lorsque des enfants sont à proximité
- N'utiliser l'appareil qu'en suivant les instructions données dans ce guide. N'utiliser que les accessoires recommandés par le fabricant.
- Ne pas utiliser l'appareil avec un câble ou un connecteur endommagé. Rapporter l'appareil au SAV le plus proche en cas d'anomalie de fonctionnement ou suite à une chute ou encore en présence d'un dommage manifeste.
- Ne pas utiliser le câble pour porter l'appareil, ne jamais utiliser le câble comme moyen de manutention, ne pas le faire passer sur des arêtes vives. Ne pas faire rouler l'appareil sur le câble. Ne pas laisser le câble sur des surfaces à haute température..
- Ne pas tirer le câble pour débrancher. Toujours tirer sur le connecteur pour débrancher, pas sur le câble.
- Ne pas toucher l'appareil ou le connecteur avec des mains humides.
- Ne pas mettre d'objet dans les ouvertures. Ne pas utiliser l'appareil lorsque les ouvertures sont obstruées, maintenir les ouvertures bien dégagées (absence de poussières et autres) pour assurer un bon débit d'air.
- Tenir éloigné des ouvertures et des organes mobiles les cheveux, des pièces de vêtement lâches, les doigts ou toute partie du corps en général.
- Mettre à l'arrêt la commande avant de débrancher.
- Opérer avec une grande prudence lors de nettoyage d'escaliers.
- Ne pas utiliser l'appareil pour opérer sur des liquides inflammables (essence et autres) ou à proximité de ceux-ci.
- Ne brancher que sur une prise avec une liaison à la terre faite dans les règles. Voir les recommandations pour la prise de terre.
- Débrancher le connecteur avant de raccorder la conduite souple et l'accessoire.
- Ne pas prendre d'objets brûlants ou très chauds (cigarettes, allumettes, cendres encore chaudes, etc.)
- Ne pas utiliser en l'absence de sachet collecteur de poussières à l'aspiration ou de filtre.

### GARDER CE GUIDE D'UTILISATION

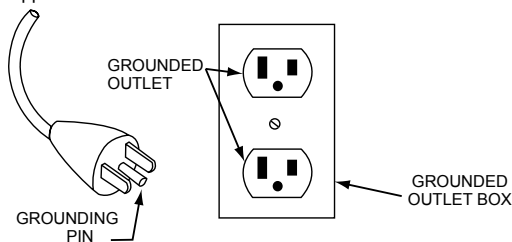
#### Appareil à usage uniquement domestique

#### RECOMMANDATIONS POUR LA MISE A LA TERRE

Cet appareil doit être mis à la terre. En cas d'anomalie la mise à la terre présente la plus petite résistance au courant électrique, ce qui diminue les risques de choc électrique. Cet appareil est pourvu d'un câble avec conducteur de mise à la terre. Brancher ce connecteur à une prise électrique appropriée, installée avec une liaison de mise à la terre conformément aux normes

ATTENTION : un raccordement mal fait du conducteur de terre peut entraîner des chocs électriques. En cas d'incertitude sur la mise en place correcte de la prise avec la terre, faire intervenir un professionnel qualifié. Ne faire aucune modification sur le connecteur : s'il est incompatible avec la prise électrique, faire intervenir un professionnel qualifié pour l'installation d'une autre prise.

Cet appareil conçu pour fonctionner sur une tension réseau de 120 V est pourvu d'un connecteur pour mise à la terre (voir la figure A). S'assurer que l'appareil peut être branché sur une prise compatible avec le connecteur. Ne pas utiliser d'adaptateur avec cet appareil.



#### Questions, problèmes, pièces manquantes ?

Avant de retourner chez votre détaillant, appelez au 1 866 627-3435, entre 8 h et 18 h, heure de l'Est, ou encore envoyez-nous un courriel à l'adresse [customercare@oase-livingwater.com](mailto:customercare@oase-livingwater.com). Vous pouvez aussi consulter notre site web au [www.oase-livingwater.com](http://www.oase-livingwater.com)

## - Français -

### Remarques relatives à cette notice d'emploi

Bienvenue chez OASE Living Water. Avec l'acquisition du produit, **PondoVac 4** vous avez fait le bon choix. Avant la première utilisation de l'appareil, lire attentivement cette notice d'emploi et se familiariser avec l'appareil. Tous les travaux effectués avec et sur cet appareil devront être exécutés conformément aux directives ci-jointes. Respecter impérativement les consignes de sécurité relatives à une utilisation correcte et en toute sécurité. Conserver soigneusement cette notice d'emploi. Lors d'un changement de propriétaire, prière de transmettre également cette notice d'emploi.

### Symboles dans cette notice d'emploi

Les symboles utilisés dans cette notice d'emploi ont les significations suivantes :



#### Risque de dommages aux personnes dû à une tension électrique dangereuse

Le symbole attire l'attention sur un danger directement imminent pouvant entraîner la mort ou des blessures graves si les mesures correspondantes ne sont pas prises.



#### Risque de dommages aux personnes dû à une source de danger générale

Le symbole attire l'attention sur un danger directement imminent pouvant entraîner la mort ou des blessures graves si les mesures correspondantes ne sont pas prises.



Consigne importante pour un fonctionnement exempt de dérangement.

### Pièces faisant partie de la livraison

Figure A	Quantité	Description
1	1	Aspirateur de vase PondoVac 4
2	1	Tuyau d'aspiration 16 ft (5 m)
3	1	Tuyau d'évacuation 8 ft (2,5) m
4	1	Distributeur d'aspiration
6	1	Tube de rallonge clair
7	4	Tubes de rallonge aluminium (Al)
8	1	Sac de récupération d'impuretés
9		Kit de suceurs
a	1	Suceur universel
b	1	Suceur pour algues filamenteuses
c	1	Suceur à brosse
d	1	Suceur pour liquide
10	1	Suceur pour surface
	1	Notice d'emploi

### Utilisation conforme à la finalité

PondoVac 4., nommé par la suite "appareil", doit être uniquement utilisé pour aspirer la vase. Tous les autres éléments faisant partie des fournitures ne doivent être utilisés que dans ce contexte. Le filtre correspondant n'est conçu que pour des liquides. L'aspiration de poussière ou de salissure entraînerait un dommage irréversible.

L'appareil est destiné exclusivement à une utilisation privée et non pas à une application commerciale ou à la location. N'utiliser l'appareil en aucun cas pour aspirer des

- des substances inflammables ou nocives (par ex. essence, amiante, poussière d'amiante, toner de photocopieuse),
- des substances volatiles,
- des acides,
- des cendres chaudes ou incandescentes,
- de la poussière, du sable ou des saletés similaires.

### Danger dans un environnement explosif

L'appareil n'est pas protégé contre l'explosion. Ne jamais utiliser l'appareil en présence de poussières, de liquides ou de vapeurs pouvant exploser !

### Utilisation non conforme à la finalité

Le non-respect des consignes reprises dans cette notice d'emploi entraîne l'annulation de la garantie et de la responsabilité et des risques pour les personnes émanant de l'appareil peuvent en résulter.

## Montage

### Préparation (figures C, D, E) :

- Introduire les roues (11) sur le carter.
- Mettre la poignée de transport (12) dans la position souhaitée. Pour cela débloquer la vis manuelle (13) et la rebloquer.
- Monter le distributeur d'aspiration (4) dans l'orifice d'aspiration (14) en insérant et en tournant (verrouillage à baïonnette).
- Raccorder le tuyau d'aspiration (2) sur le distributeur d'aspiration (4) .
- Mettre en place les tubes de rallonge (figure A, 6, 7) sur la partie manuelle du tuyau (2). Le tube clair (6) permet de contrôler le débit afin de détecter plus rapidement d'éventuels colmatages.
- Installer le suceur (9, 10) approprié au projet.

**Remarque** : plus on utilise de tubes, plus élevée sera la résistance due au frottement dans le tube. La puissance d'aspiration s'en trouve ainsi diminuée.

### Utilisation comme aspirateur de vase (figures B, E)

**Attention !** Ne jamais utiliser l'appareil sans mousse filtrante (figure I, 22), ni flotteur ! Les deux sont livrés déjà montés.

- Placer l'appareil à au moins 6.6 ft (2 m) de l'eau.
- Prévoir une légère inclinaison pour le tuyau d'écoulement (3) : appareil légèrement surélevé mais sur un emplacement stable et sûr. L'ouverture d'écoulement (15) doit se trouver au-dessus de la surface de l'eau.
- Introduire le tuyau d'écoulement (3) dans l'ouverture d'écoulement (15) du récipient collecteur.
- Veiller que le tuyau repose à plat : éviter tout pli ou coude en raison d'irrégularités du sol. L'eau usée doit pouvoir s'écouler librement et être éliminée selon les réglementations locales.

**Remarque** : Si vous placez le sac de récupération d'impuretés (figure A, 8) au-dessus de l'extrémité libre du tuyau d'écoulement (3), il vous est alors possible de renvoyer l'eau usée dans votre bassin une fois libérée des particules grossières, telles que des feuilles ou des algues. Il est également possible d'utiliser la vase aspirée comme engrais pour plantes. Dans ce cas, placer le tuyau d'écoulement directement dans vos plates-bandes. Sinon procéder à un recyclage conformément aux réglementations locales.

### Utilisation des suceurs (figure A, 9, 10) :

Suceur universel (a) : pour l'aspiration de vase de bassin sans aspirer le gravier du bassin.

Suceur pour algues filamenteuses (b) : pour la séparation et l'élimination d'amas d'algues filamenteuses.

Suceur à brosse (c) : pour le nettoyage d'impuretés tenaces.

Suceur pour surface (10) : pour le nettoyage de grandes surfaces lisses.

Suceur pour liquide (d) : uniquement pour l'utilisation comme aspirateur pour liquide pour l'aspiration d'eau sale ou d'eau résiduelle.

**Remarque** : effectuer chaque aspiration lentement et calmement avec des mouvements réguliers. Ceci permet ainsi d'éviter en grande partie des tourbillonnements de sédiments.

## Mise en service

Raccorder l'appareil au secteur. L'appareil dispose d'un interrupteur principal (figure F, 16) :

Position I : Mode automatique. Aspiration continue.

Position 0 : L'appareil est hors circuit.

## Exploitation

### Réglage de la puissance d'aspiration

Le coulisseau dans la poignée du tuyau d'aspiration permet de régler la puissance d'aspiration. Une réduction de la puissance d'aspiration est indiquée lorsque l'appareil aspire trop de substances indésirables - comme par exemple du gravier - pouvant boucher le passage, quand il est utilisé comme aspirateur de vase.

### Questions, problèmes, pièces manquantes ?

Avant de retourner chez votre détaillant, appelez au 1 866 627-3435, entre 8 h et 18 h, heure de l'Est, ou encore envoyez-nous un courriel à l'adresse [customer-care@oase-livingwater.com](mailto:customer-care@oase-livingwater.com). Vous pouvez aussi consulter notre site web au [www.oase-livingwater.com](http://www.oase-livingwater.com)

## - Français -

### Particularités

Des anomalies peuvent se produire pendant l'exploitation.

**L'appareil vibre très fortement.** Mettre l'appareil hors circuit par l'interrupteur principal (16) et le remettre en circuit après 20 secondes. Si les vibrations se reproduisent, il est alors probable que

- le réservoir soit plein (utilisation comme aspirateur pour eau, bouchon obturateur en place),
- le distributeur d'entrée, l'écoulement ou la mousse filtrante sont encrassés.

Effectuer alors le nettoyage et l'entretien de l'appareil.

**Formation de vapeur.** Ne vous faites pas de soucis. Il s'agit d'eau de condensation qui est évacuée sous forme de vapeur d'eau à travers les fentes d'aération. Ceci se produit particulièrement par temps froid.

### Élimination des dérangements

Dérangement	Cause	Remède
De la vapeur sort de l'appareil	Par temps froid, de l'eau de condensation se forme dans l'appareil, ce qui se traduit par de la vapeur d'eau	Événement normal. Aucun remède nécessaire
L'appareil émet des bruits et/ou vibre fortement	Réservoir plein	Vider le réservoir
	Distributeur d'aspiration, évacuation ou mousse filtrante encrassés	Mettre l'appareil hors circuit, attendre 20 secondes et le remettre en circuit. Si le dérangement survient à nouveau, nettoyer l'appareil.
L'appareil n'aspire pas ou perd de la puissance	Aucune tension du réseau électrique	Vérifier la tension de réseau électrique
	La différence de hauteur entre la surface de l'eau et l'appareil est trop importante	La sortie d'écoulement doit se trouver légèrement au-dessus du niveau de l'eau
	Les deux récipients sont pleins d'eau Les flotteurs calfeutrent complètement	Vider l'appareil
	De la saleté obstrue la mousse filtrante, le tube d'aspiration ou le tuyau flexible d'aspiration	Retirer la saleté
	Le clapet du distributeur d'aspiration est bloqué ou encrassé	Retirer le distributeur d'aspiration Contrôler le positionnement du clapet ( <b>figure H, 25</b> )
	Le joint torique du distributeur d'aspiration n'est pas mis correctement en place	Contrôler le positionnement du joint torique ( <b>figure H, 25</b> )
	Le clapet de la soupape de vidange est bloqué ou encrassé	Retirer le tuyau d'écoulement. Contrôler le positionnement du clapet
	Le joint torique de l'unité de distribution n'est pas mis correctement en place	Contrôler le positionnement du joint torique ( <b>figure I, 28</b> )
Faible puissance d'aspiration	Le joint torique du réservoir interne n'est pas mis correctement en place	Contrôler le positionnement du joint torique ( <b>figure I, 27</b> )
	Résistance de frottement du tuyau accrue	Maintenir si possible la conduite d'aspiration courte et à plat.
Le récipient ne se vide pas	Profondeur d'aspiration trop importante. À partir d'une profondeur d'aspiration de 6.5 ft (2 m), la puissance d'aspiration diminue pour des raisons de construction	Réduire la profondeur d'aspiration
	Le tuyau d'écoulement à un pli ou il n'est pas suffisamment incliné	Installer correctement le tuyau. Voir montage.
L'appareil commute de manière insuffisante entre les récipients ou pas du tout	De la saleté obstrue le tuyau d'écoulement ou la soupape de vidange.	Retirer la saleté se trouvant dans le tuyau d'écoulement et dans la soupape de vidange
	Pellicule de saleté sur les pistons après une période d'immobilisation prolongée	Retirer le carter du moteur ( <b>G, 17</b> ). Engager manuellement la procédure d'enclenchement en maintenant la tête du moteur vers le bas.

## Nettoyage et entretien

### Nettoyage standard (figures F - H)

- Mettre l'appareil hors circuit avec le commutateur principal (16) et retirer la fiche du secteur.
- Retirer tous les tuyaux.
- Débloquer le verrouillage du récipient (18).
- Retirer le carter du moteur (17).
- Rincer le réservoir interne (19) sans le retirer.
- Débloquer les éléments de verrouillage (21) sous les mousses filtrantes (22).
- Retirer les mousses filtrantes (22) et les rincer à l'eau claire.

**Remarque** : les mousses filtrantes sont des pièces d'usure. Contrôler à cette occasion l'état des mousses filtrantes. En cas de dommage, les remplacer par des pièces de rechange OASE d'origine.

### Nettoyage du réservoir interne, du récipient collecteur, du distributeur d'aspiration et de la soupape de vidange (figures I - K)

- Distributeur d'aspiration (figure J) : tourner le distributeur d'aspiration (4) hors du verrouillage à baïonnette (14). Contrôler l'intégralité et l'état des joints d'étanchéité en caoutchouc (25) dans le distributeur d'aspiration.
- Rincer le distributeur d'aspiration.
- Démonter et rincer le réservoir interne (figure I 19).
- Contrôler l'état du joint en caoutchouc (27).
- Rincer le récipient collecteur (figure K 24) et la soupape de vidange (23).
- Vérifier la position correcte et la bonne marche du clapet (26) dans l'ouverture d'écoulement.

**Remarque** : les bagues d'étanchéité et les caoutchoucs de soupape sont des pièces d'usure. En cas de détérioration ou de perte, les remplacer par des pièces de rechange OASE d'origine.

### Assemblage de l'appareil

Remonter ensuite l'appareil dans l'ordre inverse. Ne pas oublier de verrouiller le carter de moteur à l'aide des crochets (figure J, 18).

### Pièces d'usure

Les mousses filtrantes, les bagues d'étanchéité et les caoutchoucs de soupapes sont des pièces d'usure et ne sont pas couverts par la garantie.

### Stockage

Vider le récipient collecteur et nettoyer l'appareil. Entreposer l'appareil hors de portée des enfants dans un endroit sec et protégé du gel.

### Recyclage

Les mousses filtrantes et les joints d'étanchéité qui ne sont plus utilisés peuvent être jetés avec les ordures ménagères.



L'appareil ne doit pas être jeté avec les ordures ménagères ! Prière d'utiliser le système de reprise prévu à cet effet. Rendez l'appareil inutilisable en sectionnant le câble auparavant.

### Questions, problèmes, pièces manquantes ?

Avant de retourner chez votre détaillant, appelez au 1 866 627-3435, entre 8 h et 18 h, heure de l'Est, ou encore envoyez-nous un courriel à l'adresse [customercare@oase-livingwater.com](mailto:customercare@oase-livingwater.com). Vous pouvez aussi consulter notre site web au [www.oase-livingwater.com](http://www.oase-livingwater.com)

## INDICACIONES DE SEGURIDAD IMPORTANTES

Durante el uso de los equipos eléctricos se deben tener en cuenta las medidas básicas de precaución y también las siguientes medidas:

### LEA TODAS LAS INSTRUCCIONES ANTES DEL USO (DE ESTE EQUIPO).

¡ATENCIÓN! Para reducir el riesgo de incendios, descargas eléctricas o lesiones:

- No deje el equipo sin supervisión mientras está conectado. Saque la clavija cuando no se use el equipo o se tengan que realizar trabajos de mantenimiento en el equipo.
- Proteja el equipo de la lluvia, almacénelo dentro.
- Este equipo no es un juguete. Preste una atención especial cuando se use el equipo en la cercanía de niños.
- Use el equipo sólo conforme a las instrucciones contenidas en estas instrucciones. Use el equipo sólo con los accesorios recomendados por el fabricante.
- No use el equipo si está dañado el cable o la clavija. Lleve el equipo a una central de asistencia al cliente si no funciona correctamente, se ha caído, está dañado, se dejó afuera o se cayó en el agua.
- No arrastre ni lleve el equipo por el cable. No use el cable como agarradera, no bloquee el cable en una puerta y evite que el cable pase por esquinas y cantos afilados. Evite que el equipo ruede sobre el cable. Mantenga el cable alejado de las superficies calientes.
- No tire del cable para sacar la clavija de la red. Para desconectar el equipo saque siempre la clavija con la mano y no tire del cable.
- No toque la clavija ni el equipo con las manos mojadas.
- No introduzca objetos en las aberturas. No use el equipo cuando están bloqueadas las aberturas; mantenga las aberturas libres de polvo, pelusas, pelo u otras cosas que puedan evitar la corriente de aire.
- Mantenga el pelo, la ropa suelta, los dedos y todas las otras partes del cuerpo alejados de las aberturas y las piezas móviles.
- Desconecte el control completo antes de sacar la clavija.
- Tenga un cuidado especial durante la limpieza en escaleras.
- No use el equipo para aspirar líquidos inflamables como bencina ni en áreas donde estén almacenados estos líquidos.
- Conecte el equipo sólo a un tomacorriente correctamente puesto a tierra. Consulte las instrucciones de puesta a tierra.
- Saque la clavija antes de conectar la manguera y los accesorios.
- No aspire objetos ardientes ni que emitan humo, como por ejemplo cigarrillos, cerillas o ceniza caliente.
- No use el equipo sin bolsas de aspirador y/o filtros.

## GUARDE ESTAS INSTRUCCIONES.

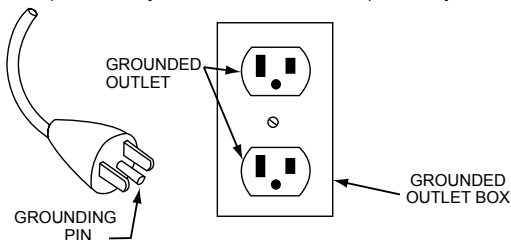
Sólo para uso doméstico

### INSTRUCCIONES DE PUESTA A TIERRA

Este equipo se tiene que poner a tierra. En caso de fallos la puesta a tierra representa el camino de menor resistencia para la corriente eléctrica y evita de esta forma el riesgo de una descarga eléctrica. Este equipo está equipado con un cable que incluye un conductor de puesta a tierra y un clavija de puesta a tierra. Enchufe la clavija en un tomacorriente apropiado, que se haya instalado y puesto a tierra correctamente conforme a todas las leyes y regulaciones válidas en el lugar.

¡ATENCIÓN! Se pueden producir descargas eléctricas si el conductor de puesta a tierra no se conecta correctamente. Si no está seguro que el tomacorriente está correctamente puesto a tierra consulte un electricista o técnico de mantenimiento cualificado. No ejecute modificaciones en la clavija suministrada. Si la clavija no cabe en el tomacorriente, encargue la instalación de un tomacorriente adecuado a un electricista cualificado.

Este equipo se apropia para ser usado en una red de corriente con una tensión nominal de 120 V y está equipado con una clavija de puesta a tierra cuyo aspecto se puede consultar en la gráfica A. Garantice que el equipo esté conectado con un tomacorriente configurado para la clavija de enchufe. No use adaptadores junto con este equipo.



## Indicaciones sobre estas instrucciones de uso

Bienvenido a OASE Living Water. La compra del producto **PondoVac 4** es una buena decisión.

Lea minuciosamente las instrucciones y familiarícese con el equipo antes de usar el mismo por primera vez. Todos los trabajos en y con este equipo sólo se deben ejecutar conforme a estas instrucciones.

Por favor siga estrictamente las instrucciones adjuntas para asegurar el correcto uso y seguridad del producto.

Guarde cuidadosamente estas instrucciones. Entregue estas instrucciones al nuevo propietario en caso de cambio de propietario.

### Símbolos en estas instrucciones

Los símbolos que se emplean en estas instrucciones de uso tienen el siguiente significado:



#### Peligro de daños a personas por tensión eléctrica peligrosa

El símbolo indica un peligro inminente que puede provocar la muerte o graves lesiones si no se toman las medidas correspondientes.



#### Peligro de daños de personas por una fuente de peligro general

El símbolo indica un peligro inminente que puede provocar la muerte o graves lesiones si no se toman las medidas correspondientes.



Indicación importante para un funcionamiento sin fallos.

## Volumen de suministro

Ilustración (A)	Cantidad	Descripción
1	1	Aspirador de lodo PondoVac 4
2	1	Tubo flexible de aspiración 16 ft (5 m)
3	1	Tubo flexible de desagüe 8 ft (2,5 m)
4	1	Distribuidor de entrada
6	1	Tubo de prolongación transparente
7	4	Tubos de prolongación de aluminio (Al)
8	1	Bolsa colectora de suciedad
9		Juego de toberas
a	1	Tobera universal
b	1	Tobera de algas barbudas
c	1	Tobera portaescobillas
d	1	Tobera de aspiración en húmedo
10	1	Tobera de superficie
	1	Instrucciones de uso

## Uso conforme a lo prescrito

PondoVac 4 El., denominado a continuación "equipo" sólo se debe emplear como aspirador del lodo de estanque. Todas las otras piezas contenidas en el suministro sólo se deben emplear en este contexto. El filtro correspondiente sólo se apropia para líquidos. El filtro se destruiría cuando se aspira polvo o suciedad.

El equipo sólo está destinado para el uso privado y no para el uso industrial o el alquiler.

El equipo no se debe usar para aspirar

- sustancias inflamables o tóxicas (p. ej. bencina, asbesto, polvo de asbesto, tóner para copiar),
- sustancias volátiles,
- ácidos,
- ceniza caliente o rescoldo,
- polvo, arena o contaminantes similares.

### Peligro en entorno explosivo

El equipo no está protegido contra explosión. ¡No emplee nunca el equipo en presencia de polvos, líquidos o vapores explosivos!

## Uso no conforme a lo prescrito

Si no se cumplen las indicaciones contenidas en estas instrucciones de uso expira todo tipo de garantía y responsabilidad y se pueden producir peligros para las personas.

### ¿Preguntas, problemas, partes faltantes?

Antes de regresar con su vendedor, llame al 1-866-627-3435 de 8 am a 6 pm, hora del este, de lunes a viernes, o envíenos un correo electrónico a [customercare@oase-livingwater.com](mailto:customercare@oase-livingwater.com). O visite nuestra página web [www.oase-livingwater.com](http://www.oase-livingwater.com)

## Montaje

### Preparación (Ilustración C, D, E):

- Coloque las ruedas (11) en la carcasa.
- Ponga el estribo de transporte (12) en la posición deseada. Suelte el tornillo para apretar con la mano (13) y apriételo de nuevo.
- Monte el distribuidor de entrada (4) fijándolo y girándolo en la entrada (14) (cierre de bayoneta).
- Conecte el tubo flexible de aspiración (2) en el distribuidor de entrada (4).
- Monte los tubos de prolongación (Ilustración A, 6, 7) en el elemento de mano del tubo flexible (2). Con el tubo transparente (6) se puede controlar el paso para reconocer más rápido las obturaciones.
- Coloque la tobera (9, 10) apropiada para este cometido.

**Nota:** Cuanto más tubos se empleen mayor es la resistencia de rozamiento de los tubos. De esta forma disminuye la potencia de aspiración.

### Utilización como aspirador de lodo (Ilustración B, E)

**¡Atención!** No opere nunca el equipo sin elemento de espuma filtrante (Ilustración I, 22) o flotador. Ambos se suministran montados.

- Emplace el equipo como mínimo 6.6 ft (2 m) del agua.
- Colocación del tubo flexible de desagüe (3) con una ligera inclinación: emplace el equipo ligeramente elevado, pero en una posición segura y fija. El orificio de desagüe (15) debe encontrarse por encima del nivel de agua.
- Coloque el tubo flexible de desagüe (3) en el orificio de desagüe (15) del recipiente colector.
- Garantice que el tubo flexible esté recto: sin estrangulación ni dobleces por desnivelación del suelo. Las aguas residuales deben evacuarse sin dificultad y conforme a las condiciones locales existentes.

**Nota:** Si se coloca la bolsa colectoras de suciedad (Ilustración A, 8) sobre el extremo libre del tubo flexible de desagüe (3), las aguas residuales depuradas sin hojas o algas se pueden retornar al estanque. Como alternativa se puede emplear el lodo de estanque aspirado como abono vegetal. Coloque en este caso el tubo flexible de desagüe directamente en un bancal. En otros casos deseche el lodo conforme a las condiciones locales.

### Empleo de las toberas (Ilustración A, 9, 10):

Tobera universal (a): para aspirar el lodo de estanque sin las gravas de estanque.

Tobera de algas barbudas (b): para separar y eliminar las madejas de algas barbudas.

Tobera portaescobillas (c): para limpiar suciedades resistentes.

Tobera de superficie (10): para limpiar grandes superficies lisas.

Tobera de aspiración en húmedo (d): sólo como aspirador en húmedo para aspirar el agua sucia o el agua residual.

**Nota:** La aspiración se debe realizar de forma lenta y con movimientos tranquilos y uniformes. De esta forma se evitan ampliamente arremolinados de los sedimentos.

## Puesta en marcha

Conecte el equipo a la red eléctrica. El equipo tiene un interruptor de alimentación (Ilustración F, 16):

Posición I: Servicio automático. Aspiración continua.

Posición 0: El equipo está desconectado.

## Funcionamiento

### Regulación de la potencia de aspiración

Con la corredera en el mango del tubo flexible de aspiración se puede regular la potencia de aspiración. La potencia de aspiración se debe disminuir si el equipo aspira durante el funcionamiento como aspirador de lodo demasiado material indeseado como p. ej. grava que obstruye la entrada.



**Situaciones extrañas**

Durante el funcionamiento se pueden producir situaciones extrañas.

**El equipo vibra mucho.** Desconecte el equipo con el interruptor de alimentación (16) y conéctelo de nuevo después de 20 segundos. Si se producen de nuevo vibraciones probablemente

- está lleno el tanque (utilización como aspirador en húmedo, tapón colocado),
- el distribuidor de entrada, el desagüe o el elemento de espuma filtrante está sucio.

En este caso limpie y realice un mantenimiento al equipo.

**Se produce vapor.** No se preocupe. Se trata de agua condensada que sale en forma de vapor de agua por las ranuras de ventilación. El efecto se produce especialmente si hay frío.

**Eliminación de fallos**

Fallo	Causa	Acción correctora
Del equipo sale vapor	Si hay frío, en el equipo se produce agua condensada que sale en forma de vapor de agua.	Acontecimiento normal. No es necesario ninguna acción correctora
El equipo hace ruidos y/o vibra mucho.	Tanque lleno	Vacíe el tanque
	Distribuidor de entrada, desagüe o elemento de espuma filtrante sucio	Desconecte el equipo, espere 20 s y conéctelo de nuevo. Limpie el equipo si se produce de nuevo el fallo.
El equipo no aspira o pierde potencia	No hay tensión de alimentación	Compruebe la tensión de alimentación
	La diferencia entre el nivel de agua y el equipo es muy grande.	La salida debe encontrarse un poco por encima del nivel del agua
	Los dos recipientes están llenos de agua. Los flotadores hermetizan completamente.	Vacíe el equipo
	La suciedad obstruye el elemento de espuma filtrante, el tubo de aspiración o el tubo flexible de aspiración	Elimine la suciedad
	La tapa en el distribuidor de entrada está bloqueada o sucia	Desmonte el distribuidor de entrada. Controle el asiento de la tapa ( <b>Ilustración H, 25</b> )
	El anillo en O en el distribuidor de entrada no está correctamente colocado	Controle el asiento del anillo en O ( <b>Ilustración H, 25</b> )
	La tapa en el distribuidor de salida está bloqueada o sucia	Quite el tubo flexible de desagüe. Controle el asiento de la tapa.
	El anillo en O en la unidad distribuidora no está correctamente colocado	Controle el asiento del anillo en O ( <b>Ilustración I, 28</b> )
Potencia de aspiración reducida	El anillo en O en el tanque interno no está correctamente colocado	Controle el asiento del anillo en O ( <b>Ilustración I, 27</b> )
	Resistencia de rozamiento de los tubos aumentada	Mantenga la línea de aspiración lo más corta y plana posible.
El recipiente no se vacía	Profundidad de aspiración muy grande. La potencia de aspiración disminuye a partir de una profundidad de aspiración de 6.5 ft (2 m) debido a la construcción.	Disminuya la profundidad de aspiración
	El tubo flexible de desagüe está doblado o no se colocó con inclinación	Coloque correctamente el tubo flexible. Véase el montaje.
El recipiente no se vacía	La suciedad obstruye el tubo flexible de desagüe o la válvula de desagüe	Elimine la suciedad del tubo flexible de desagüe y la válvula de desagüe
	El equipo no conmuta o no conmuta suficientemente entre los recipientes	Película de suciedad en el émbolo después de un largo tiempo de parada

**¿Preguntas, problemas, partes faltantes?**

Antes de regresar con su vendedor, llame al 1-866-627-3435 de 8 am a 6 pm, hora del este, de lunes a viernes, o envíenos un correo electrónico a [customer-care@oase-livingwater.com](mailto:customer-care@oase-livingwater.com). O visite nuestra página web [www.oase-livingwater.com](http://www.oase-livingwater.com)

## Limpeza y mantenimiento

### Limpeza estándar (Ilustración F - H)

- Desconecte el equipo con la clavija de la red (16) y saque la clavija de la red.
- Quite todos los tubos flexibles.
- Suelte el desenclavamiento del recipiente (18).
- Desmonte la carcasa del motor (17).
- Enjuague el tanque interior (19), pero no lo saque.
- Suelte las planchas de retención (21) debajo de los elementos de espuma filtrantes (22).
- Saque los elementos de espuma filtrantes (22) y lávelos con agua limpia.

**Nota:** Los elementos de espuma filtrantes son piezas de desgaste. Compruebe en esta ocasión los elementos de espuma filtrantes. En caso que estén dañados sustitúyalos por piezas de recambio originales de OASE.

### Limpeza del tanque interior, el recipiente colector, el distribuidor de entrada y la válvula de desagüe (Ilustración J - K)

- Distribuidor de entrada (Ilustración J): Gire el distribuidor de entrada (4) del cierre de bayoneta (14). Compruebe si las juntas de goma (25) en el distribuidor de entrada están completas y en buen estado.
- Enjuague el distribuidor de entrada.
- Desmonte y enjuague el tanque interior (Ilustración I 19).
- Controle el estado de la junta de goma (27).
- Enjuague el recipiente colector (Ilustración K 24) y la válvula de desagüe (23).
- Compruebe el movimiento suave y el asiento de la tapa (26) en el orificio de salida.

**Nota:** Los anillos de junta y las gomas de las válvulas son piezas de desgaste. En caso que estén dañados o falten sustitúyalos por piezas de recambio originales de OASE.

### Montaje del equipo

Monte a continuación el equipo de nuevo en secuencia contraria. No olvide enclavar la carcasa del motor con los ganchos de retención (Ilustración J, 18).

## Piezas de desgaste

Los elementos de espuma filtrantes, anillos de junta y gomas de válvula son piezas de desgaste y no están incluidos en la garantía.

## Almacenamiento

Vacíe el recipiente colector y limpie el equipo. Guarde el equipo fuera del alcance de los niños en un lugar seco y exento de heladas.

## Desecho

Los elementos de espuma filtrantes y las juntas que ya no se usan se pueden desechar en la basura doméstica.



¡Este equipo no se debe desechar en la basura doméstica! Deseche el equipo sólo a través de un sistema de recogida previsto. Corte el cable para inutilizar el equipo.



GB	Dimensions	Rated voltage	Power consumption	Noise level when in operation	Suction hose	Draining hose	Cable length
FR	Dimensions	Tension de mesure	Consommation	Volume sonore exploitation	Tuyau flexible d'aspiration	Tuyau d'écoulement	Longueur de câble
ES	Dimensiones	Tensión asignada	Consumo de potencia	Volumen acústico durante el funcionamiento	Tubo flexible de aspiración	Tubo flexible de desagüe	Longitud del cable
	15 inch x 16.4 inch x 26.6 inch 390 mm x 415 mm x 670 mm	AC 120 V / 60 Hz	11 A nominal 12 A max.	< 85 dB(A)	16.4 ft 5 m	8.2 ft 2.5 m	13.2 ft 4 m

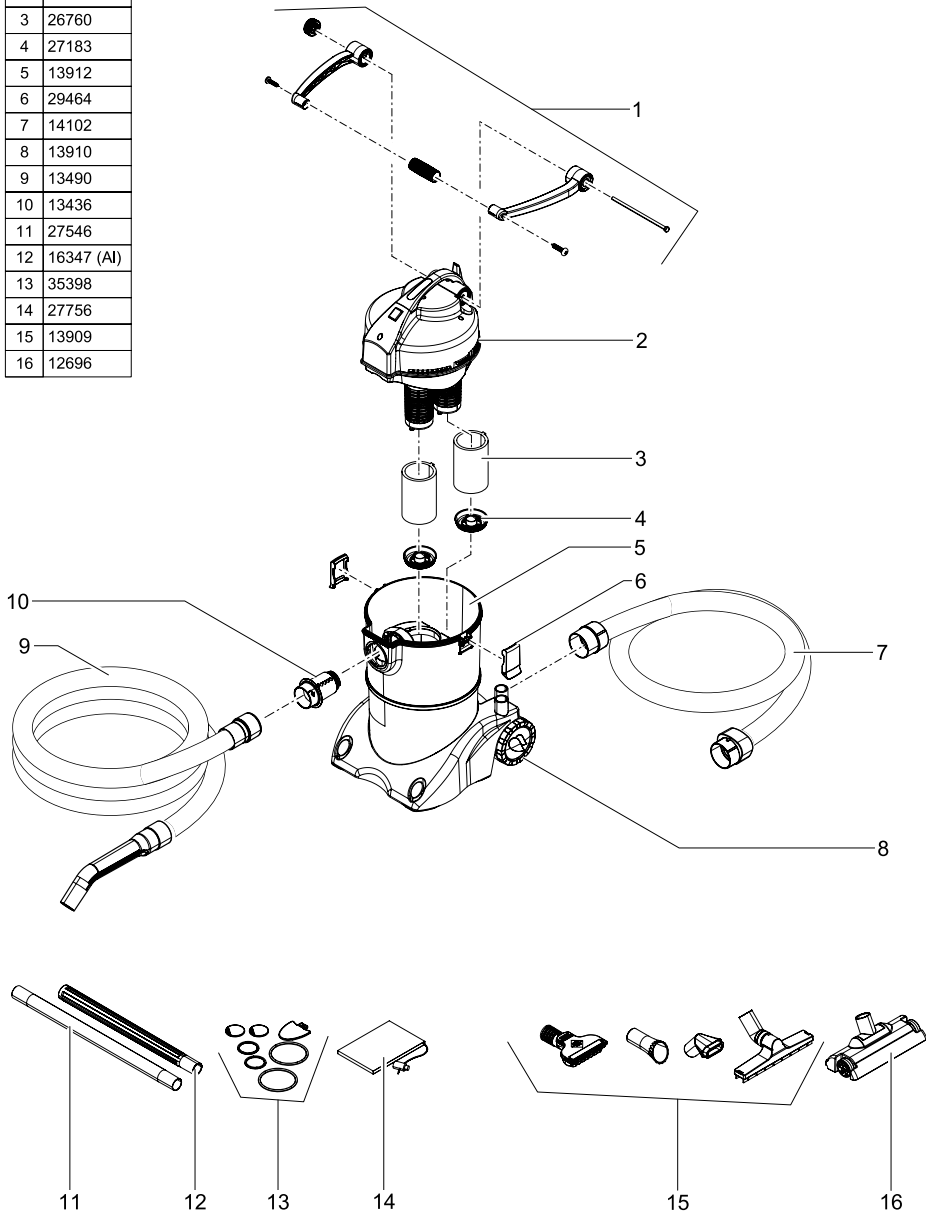


Attention!  
Read the operating instructions!

Attention !  
Lire la notice d'emploi

¡Atención!  
Lea las instrucciones de uso.

Pondovac 4	
1	13911
2	13444
3	26760
4	27183
5	13912
6	29464
7	14102
8	13910
9	13490
10	13436
11	27546
12	16347 (Al)
13	35398
14	27756
15	13909
16	12696











OASE North America Inc. - [www.oase-livingwater.com](http://www.oase-livingwater.com)

19720/01-17